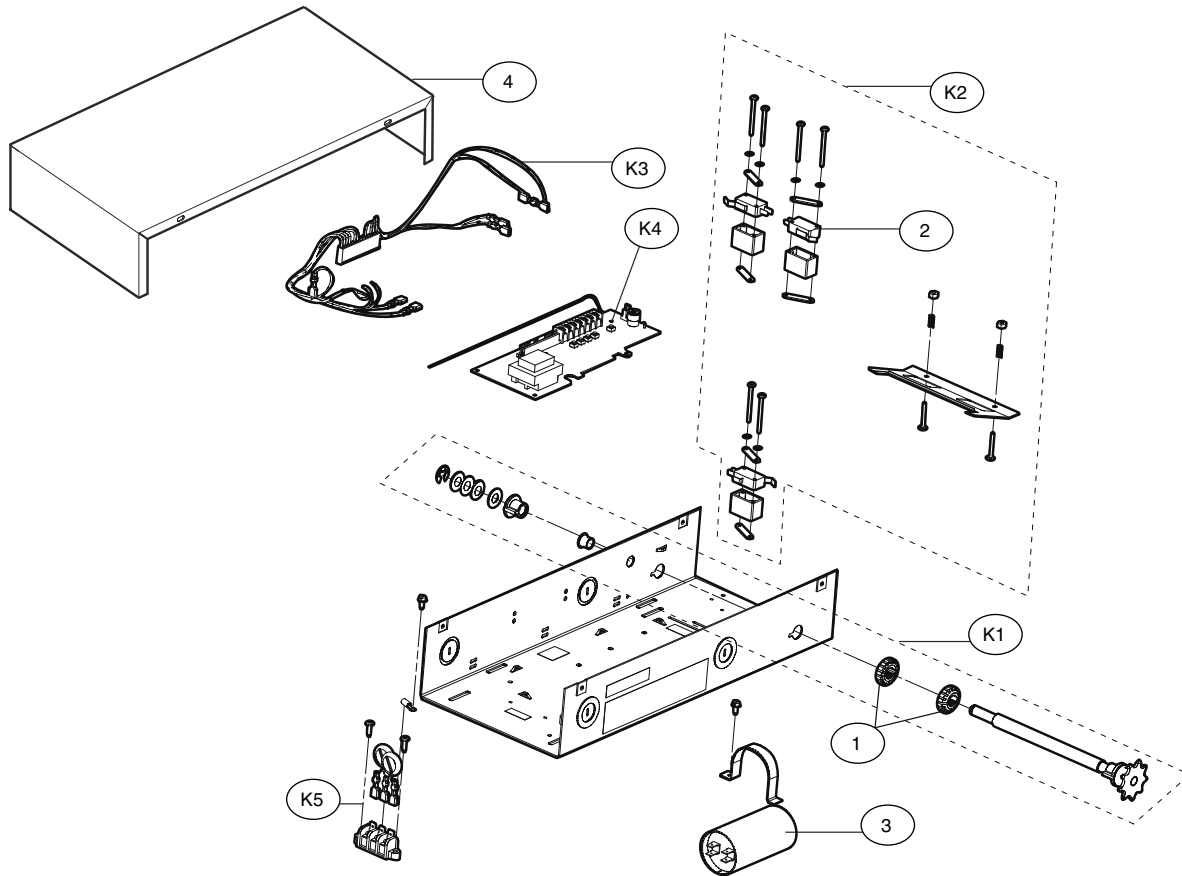


Electric Box

Models MT, BMT, MJ, MH, MHS, and MGJ



SERVICE KITS

ITEM	PART #	DESCRIPTION
K1	K72-33872-1	Limit Switch Shaft Kit (For MT, BMT, MJ, MH and MHS) Complete with: Limit shaft, limit nuts, limit bearings, limit sprocket, washers, compression ring, roll pin and e-ring
	K72-33872-2	Limit Switch Shaft Kit (For MGJ) Complete with: Limit shaft, limit nuts, limit bearings, limit sprocket, washers, compression ring, roll pin and e-ring
K2	K72-12493	Limit Switch Kit Complete with: Limit nut retainer, switch plates, backup plate, depress plate, switches (3), standoffs, screws and locknuts
K3	K94-33961	Wiring Harness Complete with harness and wire ties
K4	K001A6424	Logic Board, Medium Duty "U", 315 MHz
K4	K001A6424-1	Logic Board, Medium Duty "U", 390 MHz
K5	K74-31243	MOV and terminal block

INDIVIDUAL PARTS

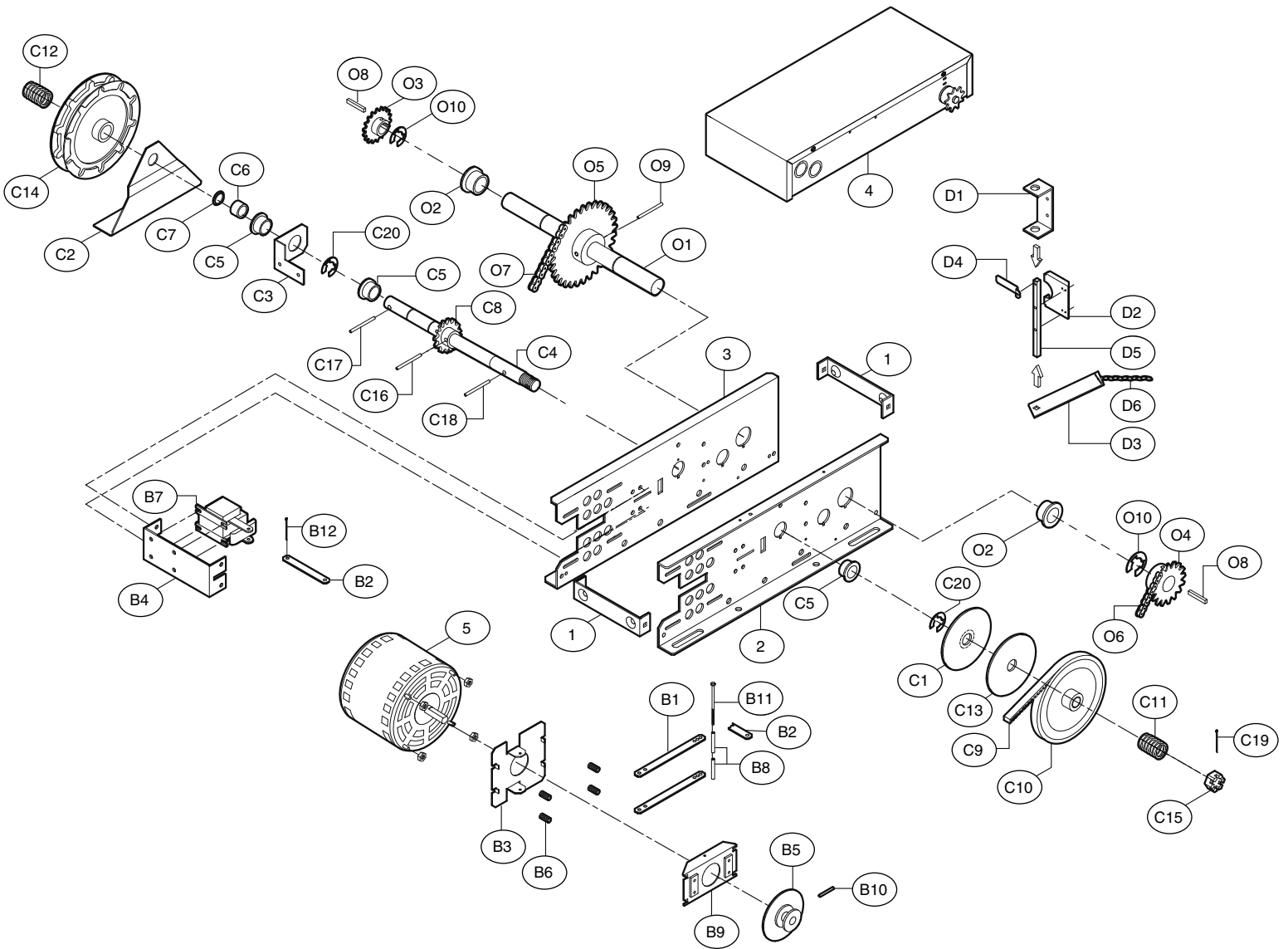
ITEM	PART #	DESCRIPTION
1	13-10024	Limit Nut
2	23-10041	Limit Switch
3	29-10338	Capacitor, Medium Duty
4	K10-33850	Cover

ELECTRICAL BOX REPLACEMENT KITS

To order a complete electrical box replacement kit, add a K- Prefix to the model number of your operator for example: MTJ011M (Operator) = K-MTJ011M (Electrical Box Kit)

Medium-Duty Hoist Operator

Model MH Only



Medium-Duty Hoist Operator

INDIVIDUAL PARTS

ITEM	PART#	DESCRIPTION
1	K75-10030	Frame Spacer
2	10-10713	Frame, Right Hand
3	10-10714	Frame, Left Hand
4	K-MH5011UR	Electrical Box - MH5011, 115V RH
	K-MH5011UL	Electrical Box - HMJ5011, 115V LH
5	K20-5150-LD-1	Motor - Model MH5011

K72-33841 · CLUTCH SHAFT KIT

ITEM	PART#	DESCRIPTION
C1	10-10166	Clutch Plate
C2	10-10882	Chain Guide
C3	10-10985	Release Holder
C4	11-10987	Clutch Shaft
C5	12-10029	Bearing, 3/4" I.D.
C6	12-10882	Bushing .753 I.D.x.625
C7	12-10883	Nyliner Bearing
C8	15-48B10GXX	Sprocket, 48B10 3/4" Bore
C9	16-4L290	Cogged Belt, 4L290
C10	17-10336	Pulley 7" O.D.
C11	18-10164	Clutch Spring
C12	18-10984	Compression Spring
C13	39-10167	Clutch Pad
C14	75-10884	Chain Wheel Assembly
C15	84-SH-76	Hex Castle Nut 3/4x16 ZP
C16	86-RP10-200	Roll Pin 5/16x2"
C17	86-RP08-102	Roll Pin 1/4x1-1/8"
C18	86-RP08-200	Roll Pin 1/4x2"
C19	86-CP05-108	Cotter Pin 5/32"x1-1/2"
C20	158A53	E-Ring, 3/4" I.D.

K72-33962 · OUTPUT SHAFT KIT

ITEM	PART#	DESCRIPTION
O1	11-10705	Output Shaft
O2	12-10715	Flange Bearing 1" ID
O3	15-41B14LGF	Sprocket, #41B14x1" Bore
O4	15-48B18LGE	Sprocket, #48B18x1" Bore
O5	15-48B32LXX	Sprocket, #48B32x1" Bore
O6	19-48027M	Chain, #48 x 27 Links with Master Link
O7	19-48043M	Chain, #48 x 43 Links with Master Link
O8	80-207-19	Key 1/4"x1-1/2"
O9	86-RP10-200	Roll Pin 5/16x2"
O10	87-E-100	E-Ring, 1" Plated

K72-12588 · DISCONNECT KIT

ITEM	PART#	DESCRIPTION
D1	10-10707	Disconnect Support Bracket
D2		Yoke (available in Disconnect Kit Only)
D3	10-10875	Disconnect Lever
D4		Interlock Switch Actuator (available in Disconnect Kit Only)
D5	11-10982	Disconnect Shaft
D6	19-8A-12	Sash Chain, 12'

BRAKE ASSEMBLY KITS

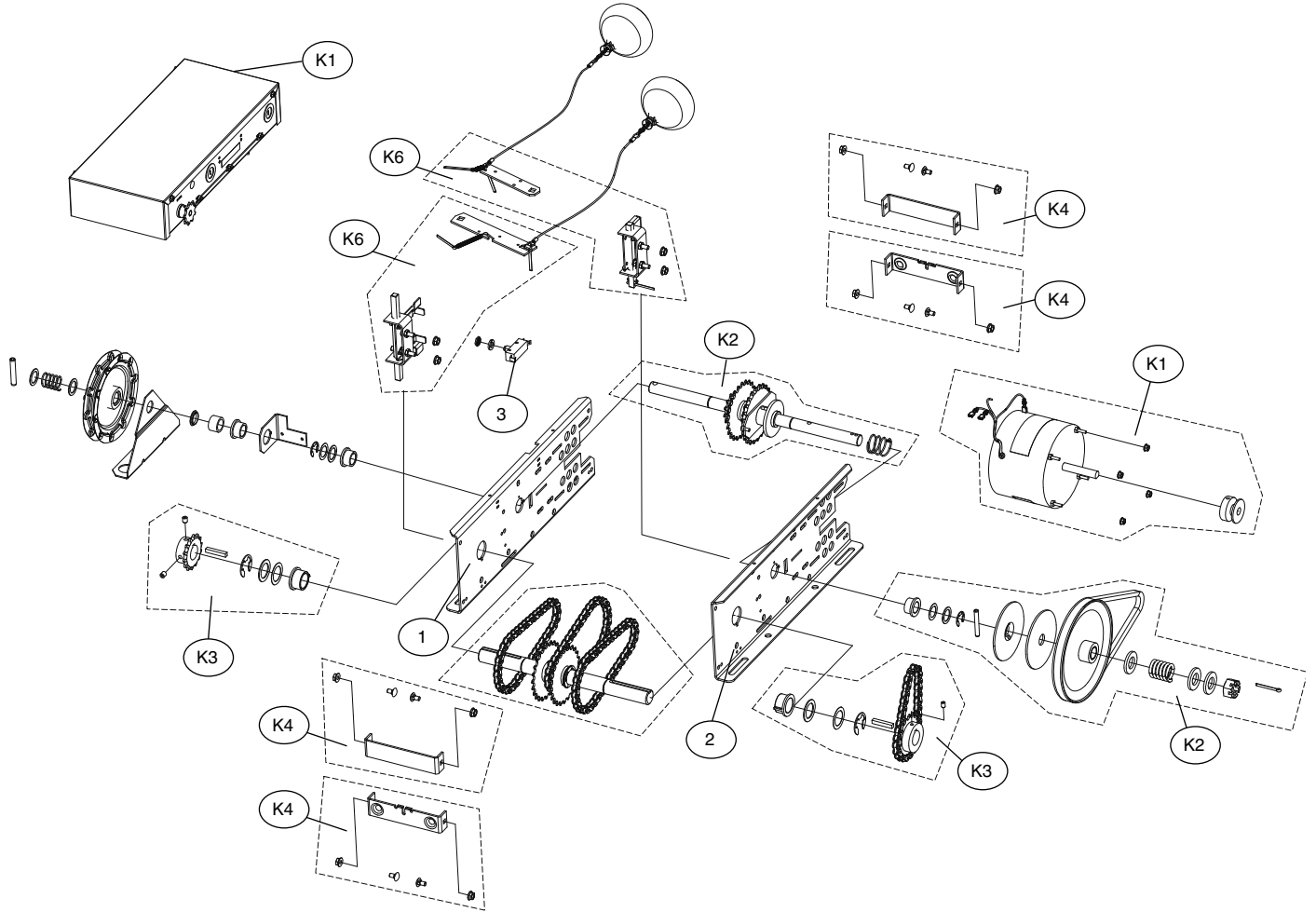
ITEM	PART#	DESCRIPTION
B1	10-10354	Brake Release Arm
B2	10-10355	Solenoid Link
B3	10-10356	Brake Mounting Plate
B4	10-10357	Solenoid Bracket
B5	17-10363	Pulley & Disc Assembly
B6		Compression Spring (Available in complete brake kits only)
B7	22-120	115V Brake Solenoid
B8	31-10364	Spacer .20 I.D.x.260 ODx1
B9	75-10359	Brake Plate Pad Assembly
B10	82-NH25-03	1/4-20x03" HS SSCR, KCP, ST
B11	82-PX10-28	10-32x3" SLTD Pan Head ZP
B12	86-CP05-108	Cotter Pin 5/32"x1-1/2"

Brake Kits

K75-12492	115 Volt Units
-----------	----------------

Medium-Duty Hoist Operator

Model MHS Only



Medium-Duty Hoist Operator

SERVICE KITS

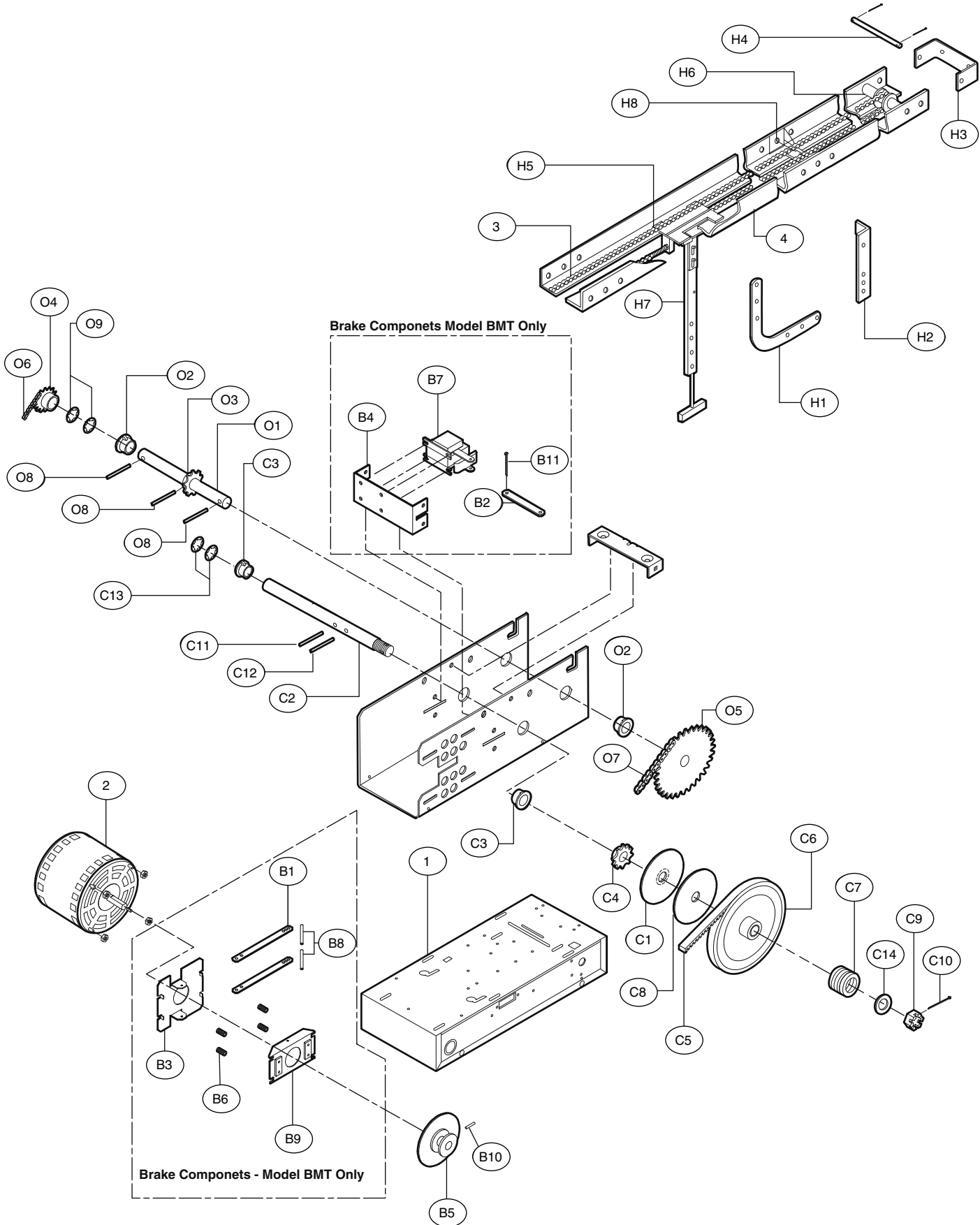
ITEM	PART#	DESCRIPTION
K1	K20-5150-LD-1	Motor, 1/2 HP, 115 Volt
K2	K72-33858	Clutch shaft kit Complete with: Disc, chain guide, release holder, 4L V-Belt, 4L motor pulley, 7" O.D., shaft, wheel, washers, bushings, bearings, nuts, pins, cotter pin
K3	K72-33856	Output shaft kit Complete with: Output shaft, bearings, roller chain with master link, limit chain, washers, roll pins, push ring and sprockets
K4	K75-10030	Frame spacer kit Complete with: 1 spacer and 2 nuts and 2 bolts
K5		Electrical box
K6	K75-33948	Disconnect assembly

INDIVIDUAL PARTS

ITEM	PART#	DESCRIPTION
1	10-10713	Frame (Right Hand)
2	10-10714	Frame (Left Hand)
3	23-10916	Interlock Switch

Medium-Duty Trolley Operator

Models MT, and BMT



Medium-Duty Trolley Operator

BRAKE ASSEMBLY KITS

ITEM	PART#	DESCRIPTION
B1	10-10354	Brake Release Arm
B2	10-10355	Solenoid Link
B3	10-10356	Brake Mounting Plate
B4	10-10357	Solenoid Bracket
B5	17-10363	Pulley & Disc Assembly
B6		Compression Spring .360 O.D.x.045WD (Available in complete brake kits only)
B7	22-120	115V Brake Solenoid
	22-240	230V Brake Solenoid
B8	31-10364	Spacer .20 I.D.x.260 ODx1
B9	75-10359	Brake Pad
B10	82-NH25-03	1/4-20x03 HS SSCR, KCP, ST
B11	86-CP05-108	Cotter Pin 5/32"x1-1/2"

Brake Kits for Model BMT ONLY

K75-12492 For Model BMT 5011

K72-33875 · CLUTCH SHAFT KIT

ITEM	PART#	DESCRIPTION
C1	10-10166	Clutch Plate
C2	11-10320	Clutch Shaft
C3	12-10029	Bearing 3/4" I.D.
C4	15-48B10GXX	Sprocket, 48B10x3/4"
C5	16-4L290	Cogged Belt
C6	17-10336	4L Motor Pulley 7" O.D.
C7	18-10164	Clutch Spring (1/3&1/2 HP)
C8	39-10167	Clutch Disc
C9	84-SH-76	Castle Nut 3/4-16
C10	86-CP04-112	Cotter Pin 1/8"x1-3/4"
C11	86-RP08-102	Roll Pin 1/4"x1-1/8"
C12	86-RP08-200	Roll Pin 1/4"x2"
C13	87-P-075	Turac 3/4" Push on Fastener
C14	85-FW-75	Flat Washer 3/4"

K77-12486 · HARDWARE KIT

ITEM	PART#	DESCRIPTION
H1	10-10203	Curved Arm
H2	10-10204	Door Bracket
H3	10-10205	Header Bracket
H4	11-10130	Header Pivot Pin
H5	75-10170	Slider Assembly
H6	75-10174	Front Idler Assembly
H8	75-10259	Track Spacer Assembly
Not Shown		
	1110197	Take Up Bolt

K72-33873 · OUTPUT SHAFT KIT

ITEM	PART#	DESCRIPTION
O1	11-10319	Output Shaft
O2	12-10029	Bearing 3/4" I.D.
O3	15-48B10GXX	Sprocket, 48B10x3/4"
O4	15-48B10G1	Sprocket, 48B10x3/4"
O5	15-48B24GXX	Sprocket, 48B24x3/4"
O6	19-48027M	Chain #48x27 Links with Master Link
O7	19-48033M	Chain #48x33 Links with Master Link
O8	86-RP08-102	Roll Pin 1/4"x1-1/8"
O9	87-P-075	Turac 3/4" Push on Fastener

K75-12870 · STRAIGHT & CURVED ARM

ITEM	PART#	DESCRIPTION
H1	10-10203	Curved Arm
H2	10-10204	Door Bracket
H7	75-10214	Straight Arm Assembly

INDIVIDUAL PARTS

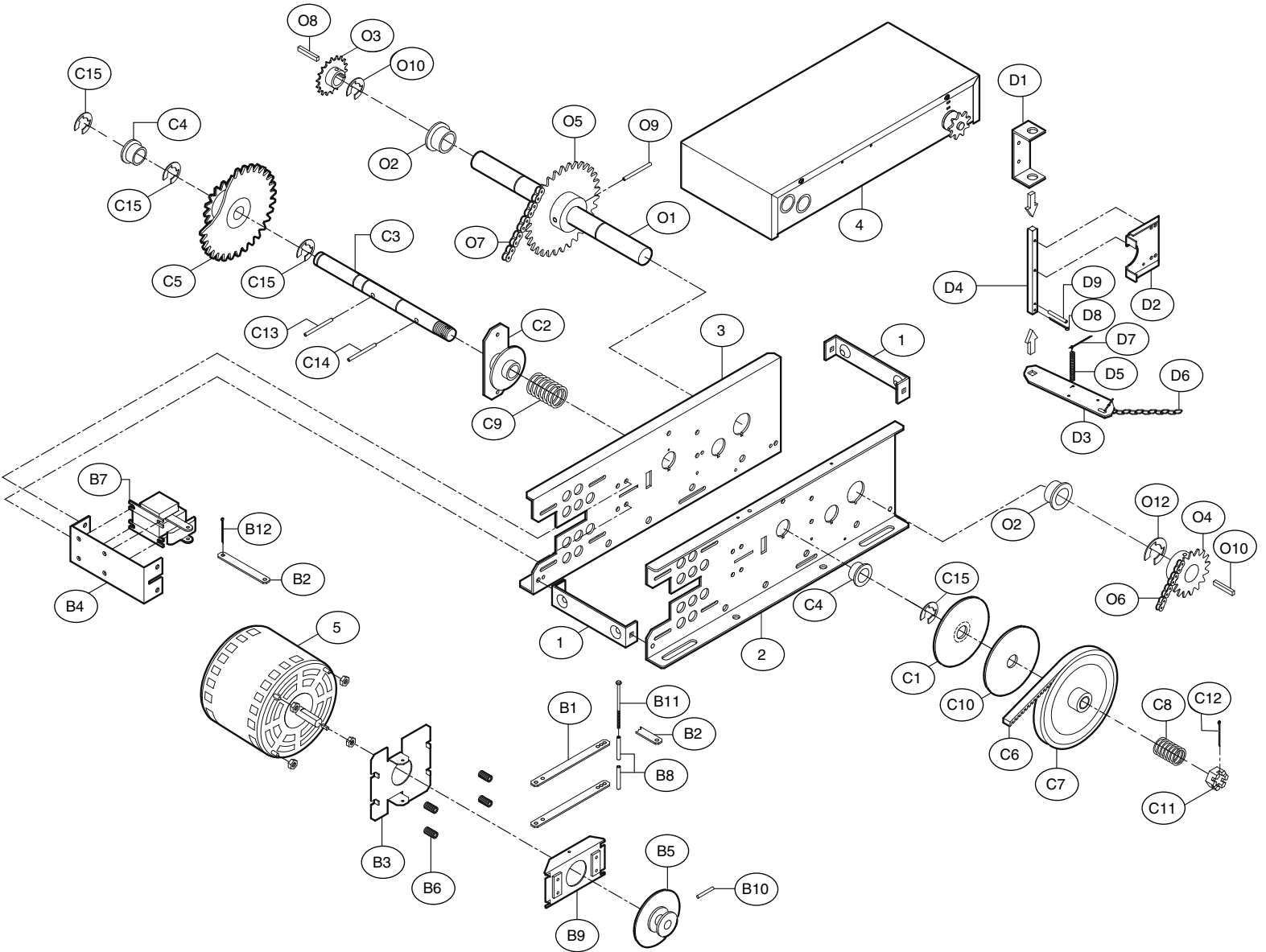
ITEM	PART#	DESCRIPTION
1	K-MT5011U	Electrical Box - MT5011, 115V
	K-BMT5011U	Electrical Box - BMT5011, 115V
2	K20-5150-LD-1	Motor - Models MT5011, BMT5011
3	19-5810	#48 Chain Doors 8' to 10'
	19-5812	#48 Chain Doors to 12'
	19-5814	#48 Chain Doors to 14'
4		Door Track*
Not Shown		
	85-FW-75	Flat Washer 3/4"

HEAVY DUTY STRAIGHT ARM

PART#	DESCRIPTION
K75-17034	Upgrade Kit

Medium-Duty Jackshaft Operator

Model MJ Only



Medium-Duty Jackshaft Operator

INDIVIDUAL PARTS

ITEM	PART#	DESCRIPTION
1	K75-10030	Frame Spacer
2	10-10713	Frame, Right Side
3	10-10714	Frame, Left Side
4	K-MJ5011U	Electrical Box - MJ5011, 115V
5	K20-5150-LD-1	Motor - Model MJ5011

K72-33889 · CLUTCH SHAFT KIT

ITEM	PART#	DESCRIPTION
C1	10-10166	Clutch Plate
C2	K75-10722	Disconnect Plate
C3	11-10706	Clutch Shaft
C4	12-10029	Bearing 3/4" O.D.
C5	15-10717	Sprocket Assembly 48B10/41A24
C6	16-4L290	Cogged Belt 4L290
C7	17-10336	4L Pulley 7" O.D.
C8	18-10164	Clutch Spring
C9	18-10711	Disconnect Spring
C10	39-10167	Clutch Disc
C11	84-SH-76	Castle Nut 3/4-16"
C12	86-CP05-108	Cotter Pin, 5/32"x1-1/2"
C13	86-RP08-102	Roll Pin, 1/4"x1-1/8"
C14	86-RP08-200	Roll Pin, 1/4"x2"
C15	158A53	E-Ring, 3/4" Plated

K72-33962 · OUTPUT SHAFT KIT

ITEM	PART#	DESCRIPTION
O1	11-10705	Output Shaft
O2	12-10715	Flange Bearing 1" OD
O3	15-41B14LGH	Sprocket, #41B14x1" Bore
O4	15-48B18LGE	Sprocket, #48B18x1" Bore
O5	15-48B32LXX	Sprocket, #48B32x1" Bore
O6	19-48027M	Chain, #48x27 Links with Master
O7	19-48043M	Chain, #48x43 Links with Master
O8	80-207-19	Key 1/4"x1-1/2"
O9	86-RP10-200	Roll Pin 5/16x2"
O10	87-E-100	E-Ring, 1" Plated

K75-12587 · MJ DISCONNECT SERVICE KIT

ITEM	PART#	DESCRIPTION
D1	10-10707	Disconnect Support Bracket
D2	10-10708	Yoke
D3	10-10709	Disconnect Lever
D4	11-10710	Disconnect Shaft
D5	18-10718	Tension Spring
D6	19-8A-12	Sash Chain, 12'
D7	86-CP04-112	Cotter Pin 1/8x1-3/4" ZP
D8	86-CP05-108	Cotter Pin 5/32x1-1/2"
D9	86-RP04-100	Roll Pin 1/8x1"

BRAKE ASSEMBLY KITS

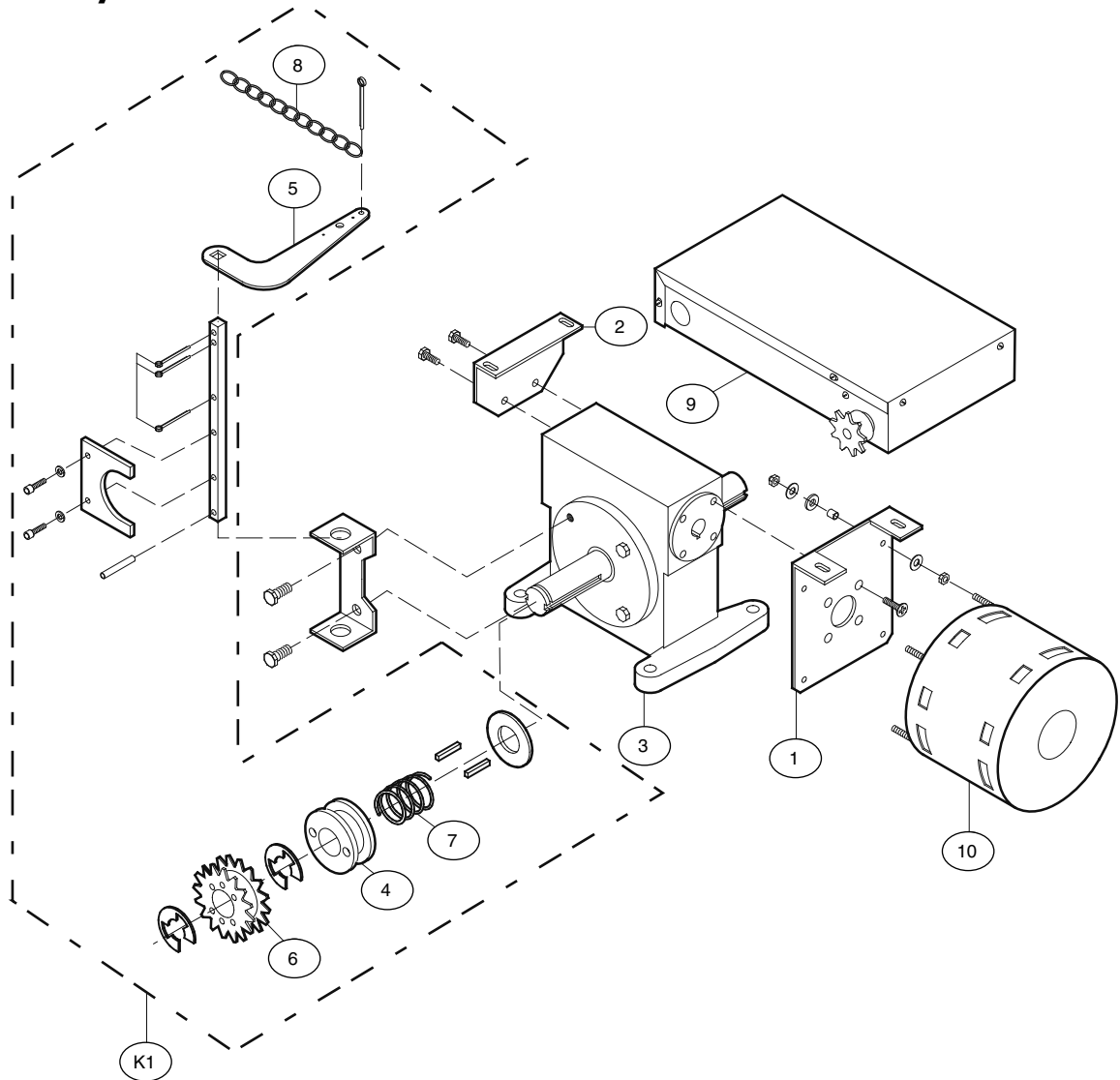
ITEM	PART#	DESCRIPTION
B1	10-10354	Brake Release Arm
B2	10-10355	Solenoid Link
B3	10-10356	Brake Mounting Plate
B4	10-10357	Solenoid Bracket
B5	17-10363	Pulley & Disc Assembly
B6	18-10716	Compression Spring .360 O.D.x.045WD
B7	22-120	115V Brake Solenoid
	22-240	230V Brake Solenoid
B8	31-10364	Spacer .20 I.D.x.260 ODx1
B9	75-10359	Brake Plate Pad Assembly
B10	82-NH25-03	1/4-20x03" HS SSCR, KCP, ST
B11	82-PX10-28	10-32x3" SLTD Pan Head ZP
B12	86-CP05-108	Cotter Pin 5/32"x1-1/2"

Brake Kits

K75-12492 For 115 Volt Operators

Medium-Duty Gear Reduced Operator

Model MGJ Only



DISCONNECT ASSEMBLY KIT

ITEM	PART#	DESCRIPTION
K1	K75-12567	Disconnect Assembly Kit Complete with: Bevel Gear Yoke, Disconnect Support Bracket, Disconnect Shaft MGJ, Disconnect Key, Cotter Pin, Roll Pin and E-Ring

INDIVIDUAL PARTS

ITEM	PART#	DESCRIPTION
1	10-11357	Brake Mounting Plate
2	10-11359	Front Bracket
3	32-11414	Gear Reducer 45:1
4	07-11418	Disconnect Hub
5	10-11394	Release Lever
6	K75-11377	Sprocket, 41B19x1.25 Bore
7	18-10467	Compression Spring
8	19-8A-12	Sash Chain, 12'
9	K-MGJ5011U	Electrical Box - MGJ5011
10	K20-1050C1M	Motor - Model MGJ5011