

Electrical Box

Electrical Box Replacement Kits

To order a complete electrical box replacement kit, add a K-Prefix to the model number of your operator for example:

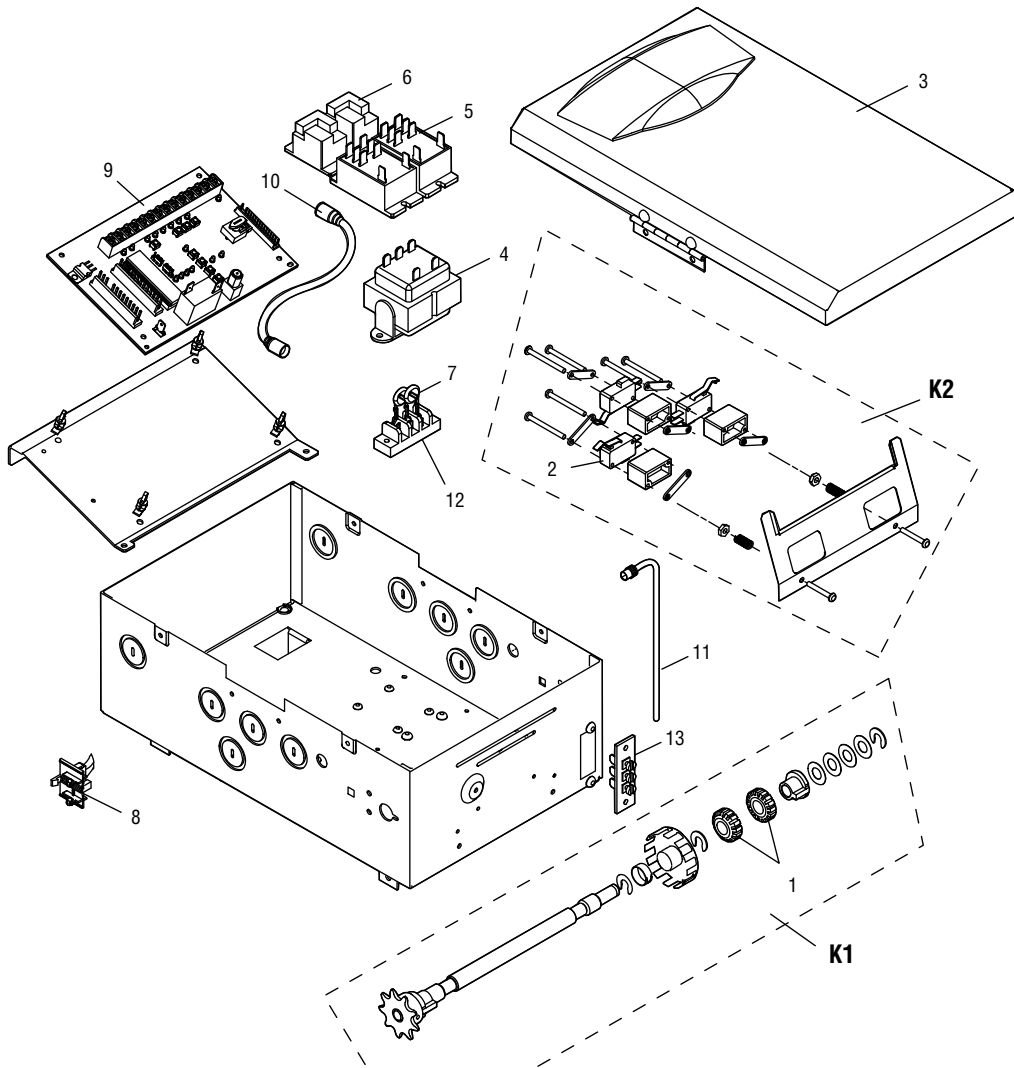
T5011L4 (Operator) = K-T5011L4 (Electrical Box Kit)

Service Kits

ITEM	PART#	DESCRIPTION
K1	K72-10047	Limit Shaft Kit (Models T, APT, SD & GH)
K1	K72-10047-1	Limit Shaft Kit (Models GT & GSD) Complete with: Limit Shaft, Limit Nuts, Limit Bearings, Limit Sprocket, Interrupter Cup, Shim Washers, Compression Ring, Roll Pin and E-Rings.
K2	K72-12515-1	Limit Switch Kit Complete with: Limit Nut Retainer, Switch Plates, Backup Plate, Depress Plates, Limit Switches, Standoffs, Screws and Locknuts.

Individual Parts

ITEM	PART#	DESCRIPTION
1	13-10024	Limit Nut
2	23-10041	Limit Switch
3	K75-35627	Cover
4	21-14182	Transformer, 115/230 Volts, 20Va
	21-35057	Transformer, 460 Volts, 40Va
	21-35077	Transformer, 575 Volts, 40Va
5	29-31244	Relay, 24 Vdc DPST (A & B Relay) All Operators
6	29-31245	Relay, 12 Vdc SPDT (C & D Relay) 3 Phase Only
	29-31229	Relay, 24 Vdc SPDT (C Relay) 1 Phase Only
7	K74-31243	MOV 580 Volts
8	K79-15016-1	RPM Sensor Assembly
9	K1A6837	Logic Board - L4
10	K2A761	Coaxial Cable
11	K1C3196-3	Antenna
12	42-31247	Terminal Block
13	42-10040	Terminal Block, Radio



Model T

Service Kits

ITEM	PART#	DESCRIPTION
K1	71-B120	Brake Kit, 115 Volt Models
	71-B208	Brake Kit, 208 Volt Models
	71-B240	Brake Kit, 230-460 Volt Models
	71-B575	Brake Kit, 575 Volt Models Complete with: Brake Hub Kit, Brake Release Lever, Brake Disk, Spring Cup, Studs, Compression Springs, Brake Solenoid, Solenoid Cover, Spacers, Mounting Plate, Pressure Plate, Feather Key and Conduit.
K2	K75-10177	Brake Hub Kit Complete with: Brake Hub, Set Screw, Push on Fastener and Feather Key.
K3	K72-12506	Clutch Shaft Kit (1/3 & 1/2 HP)
	K72-12507	Clutch Shaft Kit (3/4 & 1 HP) Complete with: Clutch Plate, Clutch Shaft, Bearing 3/4" I.D., Sprocket 41B10x3/4", 5L Belt, Motor Pulley, Spring, Clutch Disc, Shim Washers, Castle Nut, Flat Washers, Cotter Pin, Roll Pins and Push on Fastener.
K4	K72-12508	Output Shaft Kit (1/3 & 1/2 HP)
	K72-12509	Output Shaft Kit (3/4 & 1 HP) Complete with: Output Shaft, Bearing, Roller Chain with Master Link, Limit Chain, Shim Washers, Roll Pins, Push Ring 3/4" and Sprockets (41B32 & 48B10).
K5	K75-12870	Door Arm Kit Complete with: Curved Arm, Straight Arm, Door Bracket and Hardware.

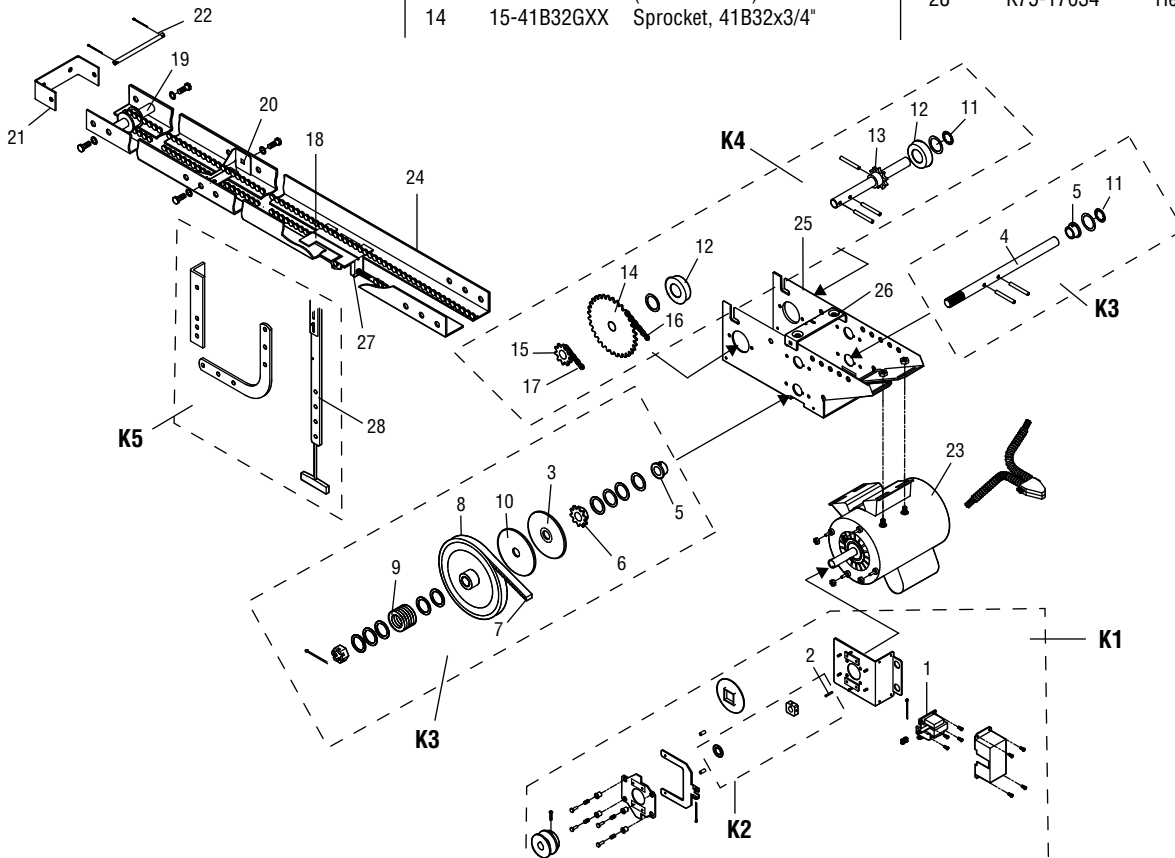
Door Drive Chain Kits

PART#	DESCRIPTION
19-5810	#48 Chain (1/3 & 1/2 HP) Doors 8' to 10'
19-5112	#41 Chain (3/4 & 1 HP) Doors 8' to 10'
19-5812	#48 Chain (1/3 & 1/2 HP) Doors to 12'
19-5112	#41 Chain (3/4 & 1 HP) Doors to 12'
19-5814	#48 Chain (1/3 & 1/2 HP) Doors to 14'
19-5114	#41 Chain (3/4 & 1 HP) Doors to 14'
19-5816	#48 Chain (1/3 & 1/2 HP) Doors to 16'
19-5116	#41 Chain (3/4 & 1 HP) Doors to 16'
19-5818	#48 Chain (1/3 & 1/2 HP) Doors to 18'
19-5118	#41 Chain (3/4 & 1 HP) Doors to 18'
19-5820	#48 Chain (1/3 & 1/2 HP) Doors to 20'
19-5120	#41 Chain (3/4 & 1 HP) Doors to 20'

Individual Parts

ITEM	PART#	DESCRIPTION
1	22-120	Brake Solenoid, 115 Volts
	22-35704	Brake Solenoid, 208 Volts
	22-240	Brake Solenoid, 230-460 Volts
	22-575-1	Brake Solenoid, 575 Volts
2	80-14414	Feather Key
3	10-10166	Clutch Plate
4	11-10014	Clutch Shaft
5	12-10029	Bearing 3/4" I.D.
6	15-41B10G1	Sprocket, 48B10x3/4"
7	16-5L300	Cogged Belt
8	17-10165	5L Motor Pulley 7" O.D.
9	18-10164	Clutch Spring (1/3 & 1/2 HP)
	18-10168	Clutch Spring (3/4 & 1 HP)
10	39-10167	Clutch Disc
11	87-P-075	Push on Fastener
12	12-10331	Flange Bearing
13	15-41B10G1	Sprocket, 41B10x3/4" (3/4 & 1 HP)
	15-48B10GXX	Sprocket, 41B10x3/4" (1/3 & 1/2 HP)
14	15-41B32GXX	Sprocket, 41B32x3/4"

ITEM	PART#	DESCRIPTION
15	15-48B10G1	Sprocket, 41B10x3/4"
16	19-41047	Roller Chain, #41x47 Pitches
17	19-48033M	Limit Chain, #48x33 Pitches
18	75-10170	Trolley
19	75-10174	Front Idler Assembly
20	K75-10259	Tracker Spacer
21	10-10205	Header Bracket
22	11-10130	Header Pivot Pin
23		
1/3 HP	K20-1033B-2LP	Motor - models T3311L4, T3321L4
	K20-3033B-4P	Motor - models T3323L4, T3343L4
	K20-3033M-5	Motor - model T3353L4
1/2 HP	K20-1050B-2LP	Motor - models T5011L4, T5021L4
	K20-3050B-4P	Motor - models T5023L4, T5043L4
	K20-3050M-5	Motor - model T5053L4
3/4 HP	K20-1075B-2LP	Motor - models T7511L4, T7521L4
	K20-3075B-4P	Motor - models T7523L4, T7543L4
	K20-3075M-5	Motor - model T7553L4
1 HP	K20-1100B-2LP	Motor - models T1011L4, T1021L4
	K20-3100B-4P	Motor - models T1023L4, T1043L4
	K20-3100M-5	Motor - model T1053L4
24		Door Track*
25	10-10011M1	Frame
26	K75-10030	Frame Spacer
27	1110197	Take Up Bolt
28	K75-17034	Heavy Duty Straight Arm



Model GT

Service Kits

ITEM	PART#	DESCRIPTION
K1	71-B120 71-B208 71-B240 71-B575	Brake Kit, 115 Volt Models Brake Kit, 208 Volt Models Brake Kit, 230-460 Volt Models Brake Kit, 575 Volt Models* Complete with: Brake Hub Kit, Brake Solenoid Cover, Brake Release Lever, Brake Disk, Spring Cup, Studs, Compression Springs, Chain, Brake Solenoid, Spacers, Mounting Plate, Pressure Plate, Feather Key, Screw, Cotter Pin and Push on Fastener.
K2	K75-10177	Brake Hub Kit Complete with: Brake Hub, Set Screw, Push on Fastener and Feather Key.
K3	K72-12859	Drive Shaft Kit Complete with: Drive Shaft, Ball Bearing, Sprocket (40B19, 41B12 and 48B18), Roller Chain with Master Link, Chain, Limit Chain, Key, Carriage Bolt and Nut.
K4	K75-12858	Torque Limiter Kit (1" Shaft) Complete with: Torque Limiter Hub, Pressure Plates, Washers, Clutch Discs, Sprocket, Key and Hex Jam Nut.
K5	K72-18989	Idler Shaft Kit Complete with: Idler Shaft, Bearing, Pulley, Hex Bolt, Flat Washers, Lock Washers and E-Ring.
K6	K75-12870	Door Arm Kit Complete with: Curved Arm, Straight Arm, Door Bracket and Hardware.

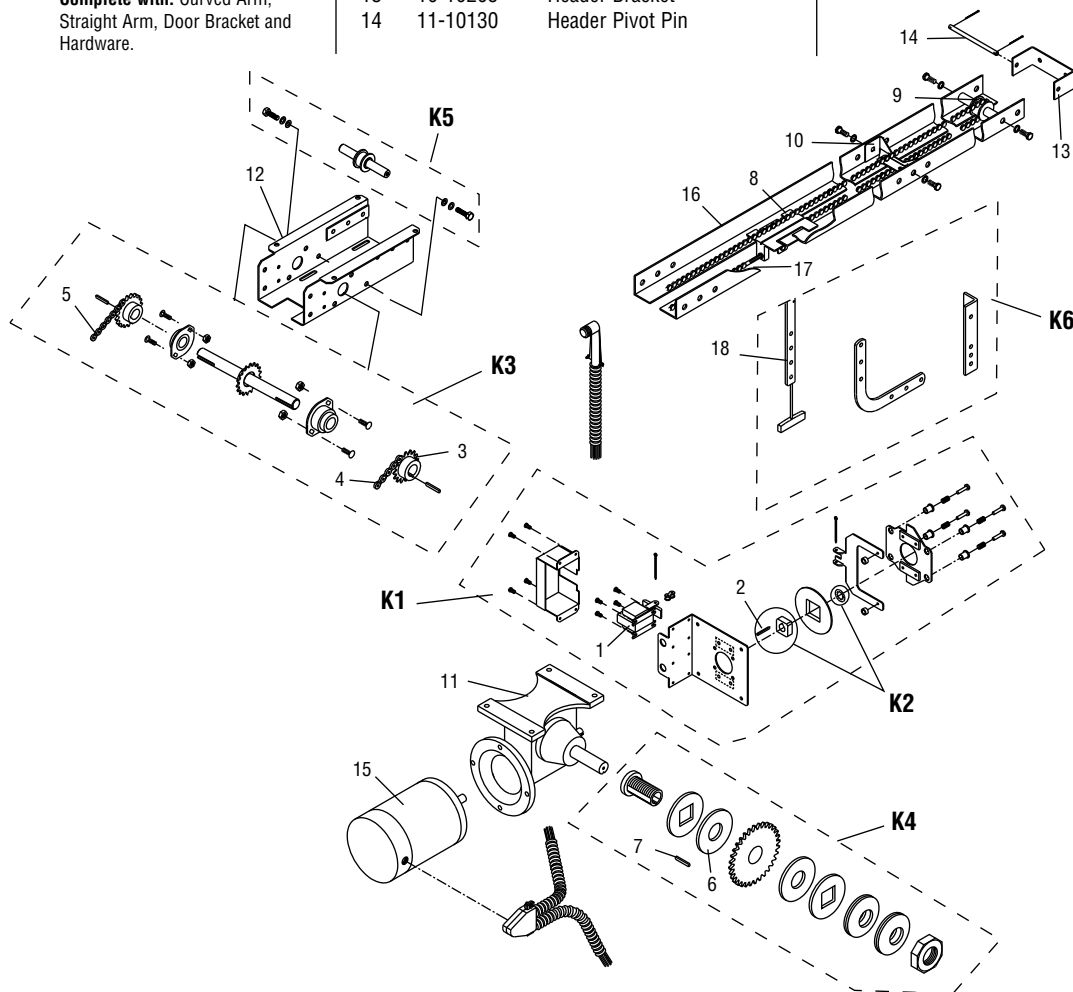
Door Drive Chain Kits

PART#	DESCRIPTION
19-5112	#41 Chain Doors to 8 to 12'
19-5114	#41 Chain Doors to 14'
19-5116	#41 Chain Doors to 16'
19-5118	#41 Chain Doors to 18'
19-5120	#41 Chain Doors to 20'
19-5124	#41 Chain Doors to 24'

Individual Parts

ITEM	PART#	DESCRIPTION
1	22-120 22-35704 22-240 22-575-1	Brake Solenoid, 115 Volts Brake Solenoid, 208 Volts Brake Solenoid, 230-460 Volts Brake Solenoid, 575 Volts
2	80-14414	Feather Key
3	15-40B19LGF 15-41B12LXX 15-48B18LGE	Sprocket, 40B19x1" Sprocket, 41B12x1" Sprocket, 48B18x1"
4	19-40047M	Roller Chain, #40 with Master Link
5	19-48069M	Limit Chain, #48 with Master Link
6	39-10541	Clutch Disc
7	80-207-19	Key, 1/4"x1-1/2"
8	75-10170	Trolley
9	75-10174	Front Idler Assembly
10	K75-10259	Tracker Spacer
11	32-10540	Gear Reducer
12	10-10536	Frame
13	10-10205	Header Bracket
14	11-10130	Header Pivot Pin

ITEM	PART#	DESCRIPTION
15		Motor - models GT5011L4, GT5021L4
1/2 HP	K20-1050B-2LP	Motor - models GT5023L4, GT5043L4
	K20-3050B-4P	Motor - model GT5053L4
	K20-3050M-5	Motor - models GT7511L4, GT7521L4
3/4 HP	K20-1075B-2P	Motor - models GT7523L4, GT7543L4
	K20-3075B-4P	Motor - model GT7553L4
	K20-3075M-5	Motor - models GT1011L4, GT1021L4
1 HP	K20-1100B-2LP	Motor - models GT1023L4, GT1043L4
	K20-3100B-4P	Motor - model GT1053L4
	K20-3100M-5	Motor - models GT1511L4, GT1521L4
1-1/2 HP	K20-1150C-2LP	Motor - models GT1523L4, GT1543L4
2 HP	K20-3200C-4P	Motor - model GT1553L4
3 HP	K20-3200C-5	Door Track*
16		Take Up Bolt
17	1110197	Heavy Duty Straight Arm
18	K75-17034	



Model APT

Service Kits

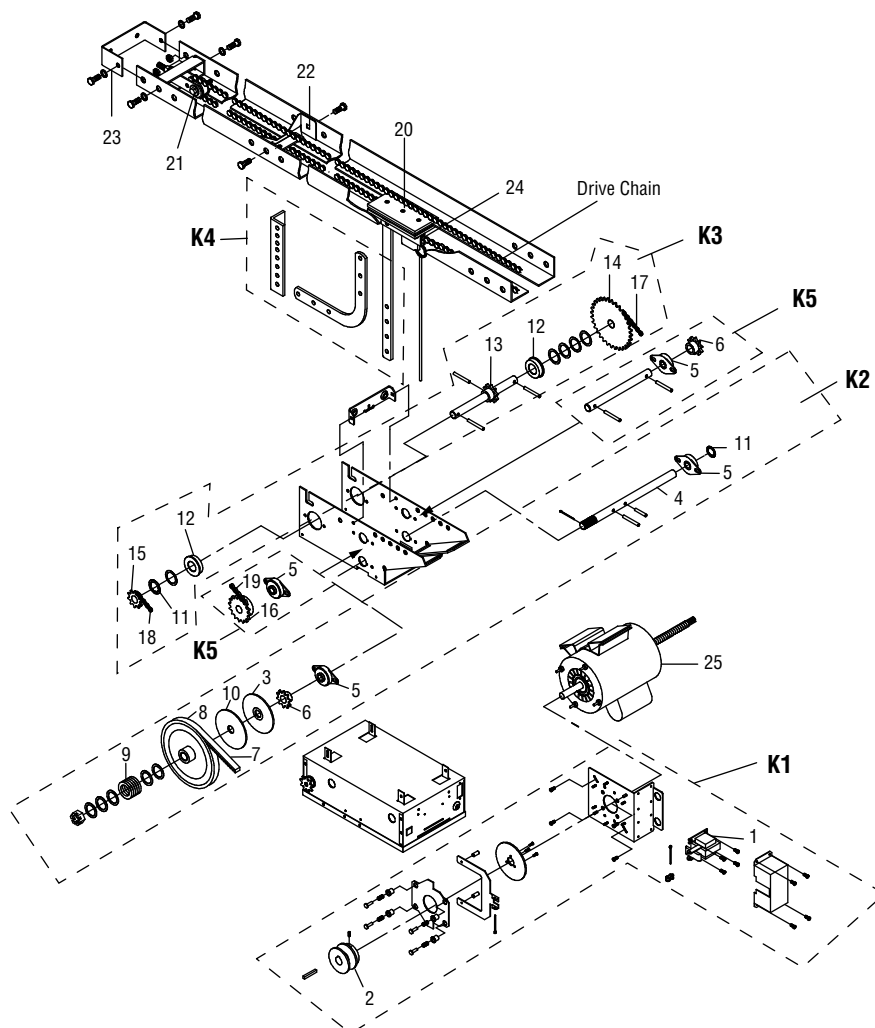
ITEM	PART#	DESCRIPTION
K1	71-AB120	Brake Kit, 115 Volt Models Complete with: Brake Solenoid Cover, Brake Release Lever, Brake Disk, Spring Cup, Studs, Compression Springs, Brake Solenoid, Spacers, Mounting Plate, Pressure Plate, Feather Key and Conduit.
K2	K72-13057	Clutch Shaft Kit Complete with: Clutch Plate, Clutch Shaft, Bearing 3/4" I.D. Sprocket 41B10x3/4", 5L Belt, Motor Pulley, Spring, Clutch Disc, Shim Washers, Castle Nut, Flat Washers, Cotter Pin, Roll Pins and Push on Fastener.
K3	K72-13059	Output Shaft Kit Complete with: Output Shaft, Bearing, Roller Chain with Master Link, Limit Chain, Shim Washers, Roll Pins, Push Ring 3/4" and Sprockets (41B32 & 48B10).
K4	K75-13074	Door Arm Kit Complete with: Curved Arm, Straight Arm, Door Bracket and Hardware.
K5	K72-13058	Intermediate Shaft Kit Complete with: Shaft, Bearings, Roll Pins, Washers and Sprockets (41B10x3/4" & 41B16x3/4").

Individual Parts

ITEM	PART#	DESCRIPTION
1	22-120	Brake Solenoid, 115 Volts
2	17-6014-1	Motor Pulley
3	10-10166	Clutch Plate
4	11-10014	Clutch Shaft
5	12-729	Pillow Flange Bearing
6	15-41B10G1	Sprocket, 41B10x3/4"
7	16-5L300	Cogged Belt
8	17-10165	Clutch Pulley 7" O.D. 5L
9	18-10164	Spring Clutch
10	39-10167	Clutch Disc
11	87-P-075	Push on Fastener
12	12-10331	Bearing
13	15-48B10GXX	Sprocket, 48B10x3/4"
14	15-41B32GXX	Sprocket, 41B32x3/4"
15	15-48B10G1	Sprocket, 48B10x3/4"
16	15-41B16GXX	Sprocket, 41B16x3/4"
17	19-41047	Roller Chain, #41x47 Pitches
18	19-48033M	Limit Chain, #48x33 Pitches
19	K75-10388	Intermediate Chain, #41x23 Pitches
20	K75-10387	Slider Assembly
21	K75-10388	Chain Tension Assembly
22	K75-10259	Tracker Spacer
23	10-10205	Header Bracket
24	K75-10406	Drive Link Assembly
25	K20-1050B-2RLP	Motor - APT5011L3

Door Drive Chain Kits

PART#	DESCRIPTION
19-5810	#48 Chain Doors 8' to 10'
19-5812	#48 Chain Doors to 12'
19-5814	#48 Chain Doors to 14'
19-5816	#48 Chain Doors to 16'
19-5818	#48 Chain Doors to 18'
19-5820	#48 Chain Doors to 20'



Model SD

Brake Assembly Kits

ITEM	PART#	DESCRIPTION
B1	07-10179	Brake Hub
B2	10-10187	Brake Solenoid Cover
B3	10-10190	Brake Release Lever
B4	10-10191	Brake Disc, Zinc Plated
B5	11-10192	Spring Cup
B6	11-10193	Brake Stud
B7		Compression Spring (Available in complete brake kits only)
B8	19-48001	Chain, #48x1 Pitch
B9	22-120	Brake Solenoid, 115 Volts
	22-35704	Brake Solenoid, 208 Volts
	22-240	Brake Solenoid, 230-460 Volts
	22-575-1	Brake Solenoid, 575 Volts
B10		Spacer, .20 I.D.x.31 (Available in complete brake kits only)
B11	K75-10180	Brake Mounting Plate Assembly
B12	K75-10184	Brake Pressure Plate Assembly
B13	80-9001	Feather Key
B14	86-CP04-112	Cotter Pin, 1/8"x1-3/4" Zinc Plate
B15	87-P-062	Push on Fastener, 5/8" Int. Star
B16	17-6014	Motor Pulley

Brake Kits

- 71B120 For 115 Volt Operators
- 71B208 For 208 Volt Operators
- 71B240 For 230-460 Volt Operators
- 71B575 For 575 Volt Operators

Individual Parts

ITEM	PART#	DESCRIPTION
1	K75-10030	Frame Spacer
2	10-10011M1	Drawbar Frame
3		Motor
4	K28-10747	Double BX Connector

Clutch Shaft Kit

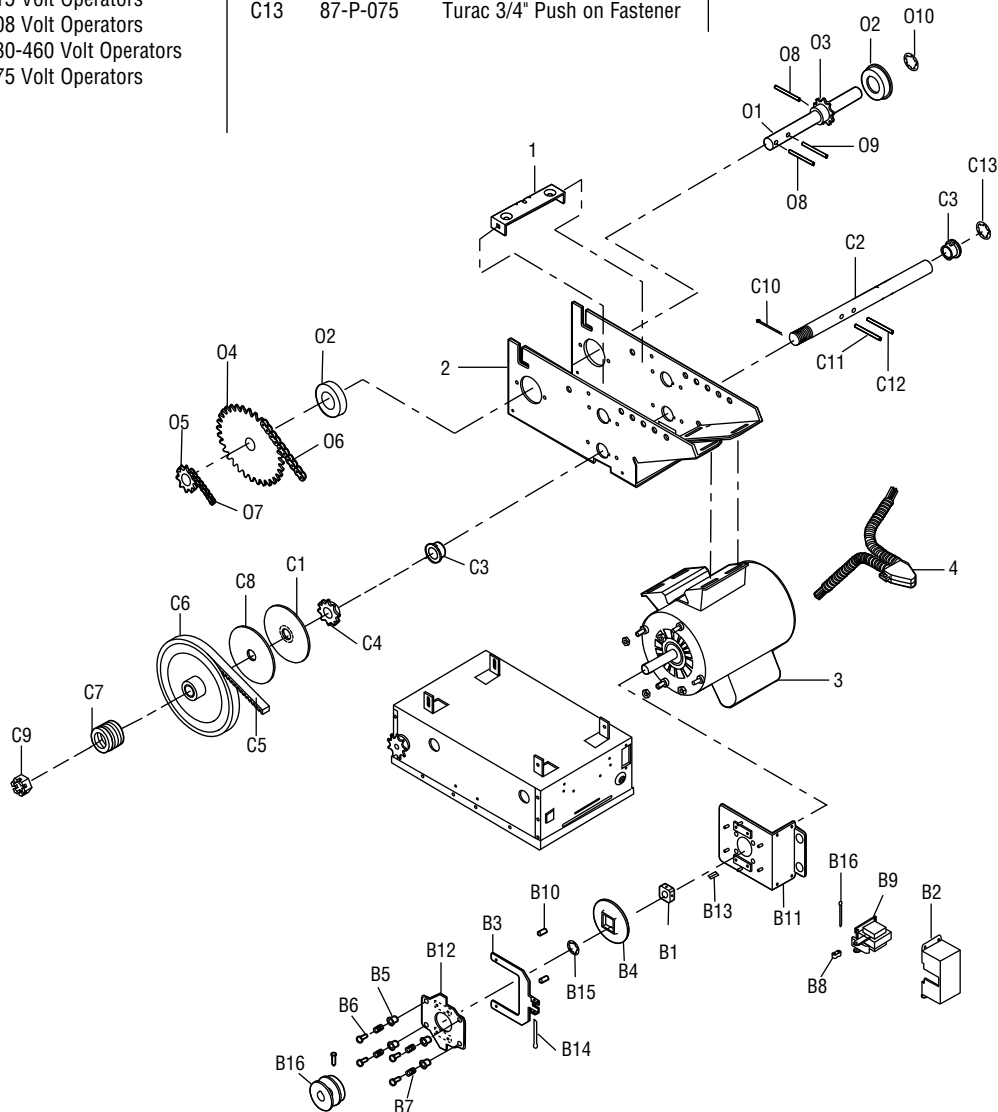
ITEM	PART#	DESCRIPTION
C1	10-10166	Clutch Plate
C2	11-10014	Clutch Shaft
C3	12-10029	Bearing 3/4" I.D
C4	15-41B10G1	Sprocket, 41B10x3/4"
C5	16-5L300	Cogged Belt
C6	17-10165	5L Motor Pulley 7" O.D.
C7	18-10164	Clutch Spring (1/3 & 1/2 HP)
	18-10168	Clutch Spring (3/4 & 1 HP)
C8	39-10167	Clutch Disc
C9	84-SH-76	Castle Nut 3/4-16"
C10	K-SPLONG	Cotter Pin 5/32"x1-1/2" (10 Pins)
C11	K-SPSHORT	Roll Pin 1/4"x1-1/8" (10 Pins)
C12	86-RP08-200	Roll Pin 1/4"x2"
C13	87-P-075	Turac 3/4" Push on Fastener

Hardware Kits

PART#	DESCRIPTION
K77-10473	Single Slide Door Kit
K77-10474	Bi-Sliding Door Kit
K75-10470	Trolley Slider for Single Slide Door Kit
K75-10471	Trolley Slider for Bi-Sliding Door Kit
K75-10469	Door Disconnect Kit

Output Shaft Kit

ITEM	PART#	DESCRIPTION
O1	11-10015	Output Shaft
O2	12-10331	Flange Bearing
O3	15-48B10GXX	Sprocket, 48B10x3/4" Bore, Steel
O4	15-41B32GXX	Sprocket, 41B32x3/4" Bore
O5	15-48B10G1	Sprocket, 48B10x3/4" Bore
O6	19-41047	Drive Chain, #41x47 Pitches
O7	19-48033	Limit Chain, #48x33 Pitches
O8	86-RP08-102	Roll Pin, 1/4" Dia.x1-1/8"
O9	86-RP08-108	Roll Pin, 1/4" Dia.x1-1/2"
O10	158A53	Push Ring, 3/4" I.D.



Model GH

Service Kits

ITEM	PART#	DESCRIPTION
K1	K75-12584	Brake Kit, 115 Volt Models
	K75-12585	Brake Kit, 230-460 Volt Models
	K75-12586	Brake Kit, 575 Volt Models Complete with: Brake Hub Kit, Brake Release Lever, Brake Disk, Spring Cup, Studs, Compression Springs, Brake Solenoid, Solenoid Cover, Spacers, Mounting Plate, Pressure Plate, Feather Key and Fastener.
K2	K75-10177	Brake Hub Kit Complete with: Brake Hub, Set Screw, Push on Fastener and Feather Key.
K3	K72-12789	Hand Chain Shaft Kit (1/2-2 HP)
	K75-14661	Hand Chain Shaft Kit (3 HP) Complete with: Bevel Gear 5/8" ID, Bevel Gear 3/4" ID, Hand Chain Guide, Hand Chain Shaft, Bearing 3/4" ID, Nyliner Bearing, Compression Spring, Chain Wheel, Washers, Roll Pins and E-Rings.
K4	K75-30737	Disconnect Kit Complete with: Disconnect Lever, Bevel Gear Yoke, Brake Release, Actuator Bracket, Switch Actuator, Disconnect Shaft, Tension Spring, Sash Chain with Keyring, Screws, Nuts, Flat Washers, Lock Washers, Cotter Pins and Roll Pin.
	K75-12829	Gear Housing Kit (1/2-1 HP, 115 Volts)
	K75-12830	Gear Housing Kit (1/2-1 HP, 230-460 Volts)
	K75-12831	Gear Housing Kit (1/2-1 HP, 575 Volts)
	K75-12832	Gear Housing Kit (1/2-2 HP, 230-460 Volts)
	K75-12833	Gear Housing Kit (1/2-2 HP, 575 Volts) Complete with: Housing Support Bracket, Pads and Pressure Plate, Housing with Cover, Disconnect Kit, Hand Chain Shaft and Brake Kit.

Individual Parts

ITEM	PART#	DESCRIPTION
1	22-120	Brake Solenoid, 115 Volts
	22-35704	Brake Solenoid, 208 Volts
	22-240	Brake Solenoid, 230-460 Volts
	22-575-1	Brake Solenoid, 575 Volts
2	80-9001	Feather Key
3	32-11009	Gear Reducer (1/2-1 HP, 45:1)
	32-11010	Gear Reducer (1/2-2 HP, 44:1)
	32-11011	Gear Reducer (3 HP, 45:1)
4	15-48B18LGE	Sprocket, 48B18 LGE (1/2-1 HP)
	15-48B18PJH	Sprocket, 48B18 PJH (1/2-2 HP)
5	15-48B18QGH	Sprocket, 48B18 (3 HP)
	15-50B12LGH	Sprocket, 50B12 (1/2-1 HP)
	15-50B12PJH	Sprocket, 50B12 (1/2-2 HP)
	15-80B9QGH	Sprocket, 80B9 (3 HP)
6	10-11021	Disconnect Lever
7	198A12	Sash Chain, 12' with Keyring
8	08-11012	Bevel Gear, 5/8" ID
	75-13334	Bevel Gear, 3/4" I.D. (3 HP)
9	08-11013	Bevel Gear, 3/4" I.D.
	08-13333	Bevel Gear, 3/4" I.D. 24 tooth (3 HP)
10	10-10882	Hand Chain Guide
11	12-10883	Nyliner Bearing
12	12-10029	Bearing, 3/4" I.D.
13	18-11008	Compression Spring
14	75-10884	Chain Wheel Assembly

ITEM	PART#	DESCRIPTION
15	1/2 HP K20-1050C-2LP	Motor - models GH5011L4, GH5021L4
	K20-3050C-4P	Motor - models GH5023L4, GH5043L4
	K20-3050M-5	Motor - model GH5053L4
3/4 HP	K20-1075C-2LP	Motor - models GH7511L4, GH7521L4
	K20-3075C-4P	Motor - models GH7523L4, GH7543L4
	K20-3075M-5	Motor - model GH7553L4
1 HP	K20-1100C-2LP	Motor - models GH1011L4, GH1021L4
	K20-3100C-4P	Motor - models GH1023L4, GH1043L4
	K20-3100M-5	Motor - model GH1053L4
1-1/2 HP	K20-1150C-2LP	Motor - models GH1511L4, GH1521L4
2 HP	K20-3200C-4P	Motor - models GH1523L4, GH1543L4
	K20-3200C-4P	Motor - models GH2023L4, GH2043L4
3 HP	K20-3300C-4	Motor - models GH3023L4, GH3043L4

