

### Electrical Box

#### Electrical Box Replacement Kits

To order a complete electrical box replacement kit, add a K-Prefix to the model number of your operator for example:

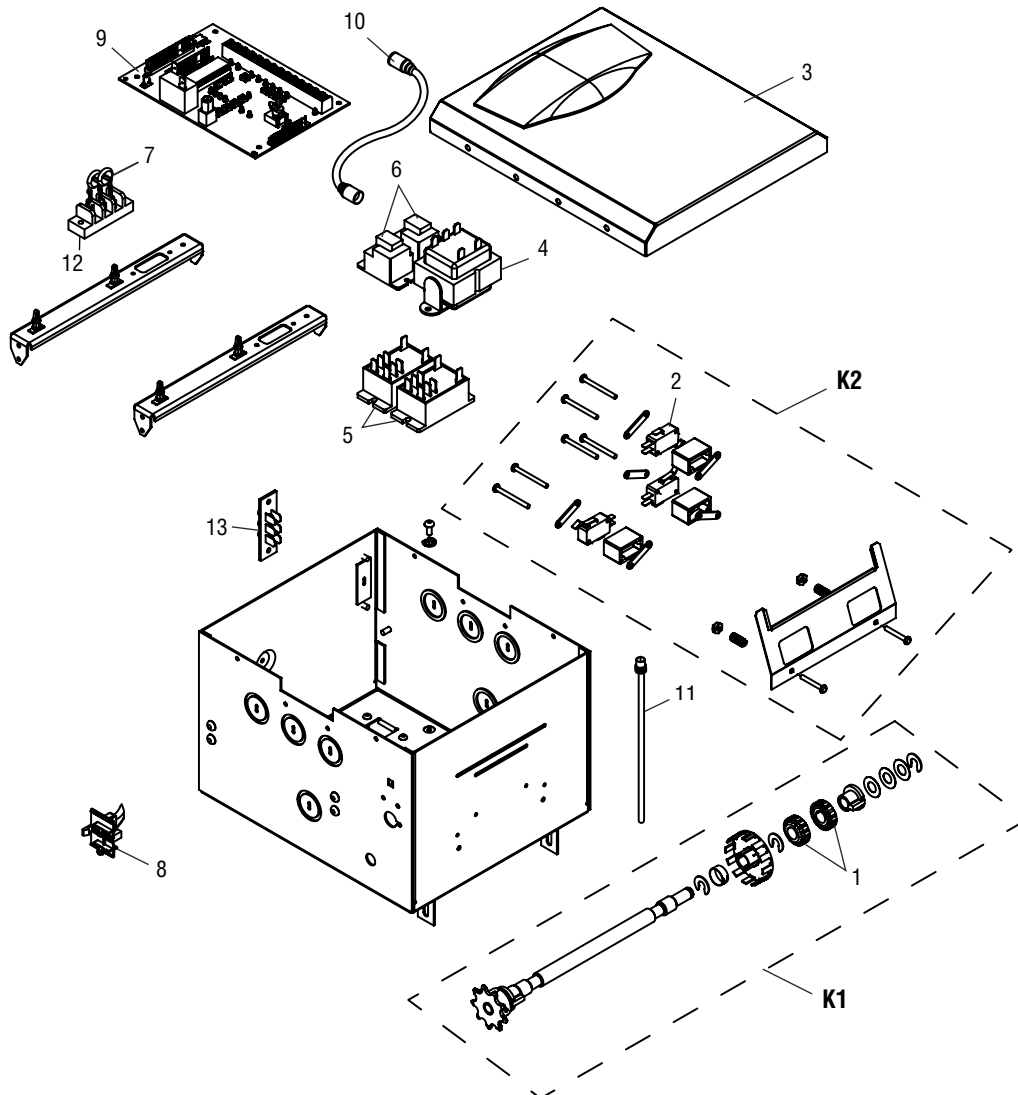
H5011L4 (Operator) = K-H5011L4 (Electrical Box Kit)

#### Service Kits

ITEM	PART#	DESCRIPTION
K1	K72-14130-1	Limit Shaft Kit <b>Complete with:</b> Limit Shaft, Limit Nuts, Limit Bearings, Limit Sprocket, Interrupter Cup, Shim Washers, Compression Ring, Roll Pin and E-Rings.
K2	K72-12515-1	Limit Switch Kit <b>Complete with:</b> Limit Nut Retainer, Switch Plates, Backup Plate, Depress Plates, Limit Switches, Standoffs, Screws and Locknuts.

#### Individual Parts

ITEM	PART#	DESCRIPTION
1	13-10024	Limit Nut
2	23-10041	Limit Switch
3	K75-35626	Cover
4	21-14182	Transformer, 115/230 Volts, 20Va
	21-35057	Transformer, 460 Volts, 40Va
	21-35077	Transformer, 575 Volts, 40Va
5	29-31244	Relay, 24 Vdc DPST (A & B Relay) All Operators
6	29-31245	Relay, 12 Vdc SPDT (C & D Relay) 3 Phase Only
	29-31229	Relay, 24 Vdc SPDT (C Relay) 1 Phase Only
7	K74-31243	MOV 580 Volts
8	K79-15016-1	RPM Sensor Assembly
9	K1A6837	Logic Board - L4
10	K2A761	Coaxial Cable
11	K1C3196-3	Antenna
12	42-31247	Terminal Block
13	42-10040	Terminal Block, Radio



# Model J

## Service Kits

ITEM	PART#	DESCRIPTION
K1	K72-19975	Clutch Shaft Kit <b>Complete with:</b> Clutch Shaft, 1" Keyed Flange Bearings, Dual Sprocket 32/14, Splined Core Sprocket, E-Ring, Compression Spring, Pulley Assembly, Washers, Thrust Bearing, Retaining Ring, Splined Hub and Roll Pin.
K2	K72-19974	Output Shaft Kit <b>Complete with:</b> Output Shaft, Sprocket Assembly, Dual Sprocket 32/14, Sprocket 48B18x1" Bore, Sprocket 50B12x1" Bore, Ring, Washers, Set Screw, Roll Pin and Thin Walled Receiver.

### NOT SHOWN

71B120	Brake Kit, 115 Volt Models
71B208	Brake Kit, 208 Volt Models
71B240	Brake Kit, 230-460 Volt Models
71B575	Brake Kit, 575 Volt Models <b>Complete with:</b> Brake Hub Kit, Brake Release Lever, Brake Disk, Spring Cup, Studs, Compression Springs, Brake Solenoid, Solenoid Cover, Spacers, Mounting Plate, Pressure Plate, Feather Key and Conduit.

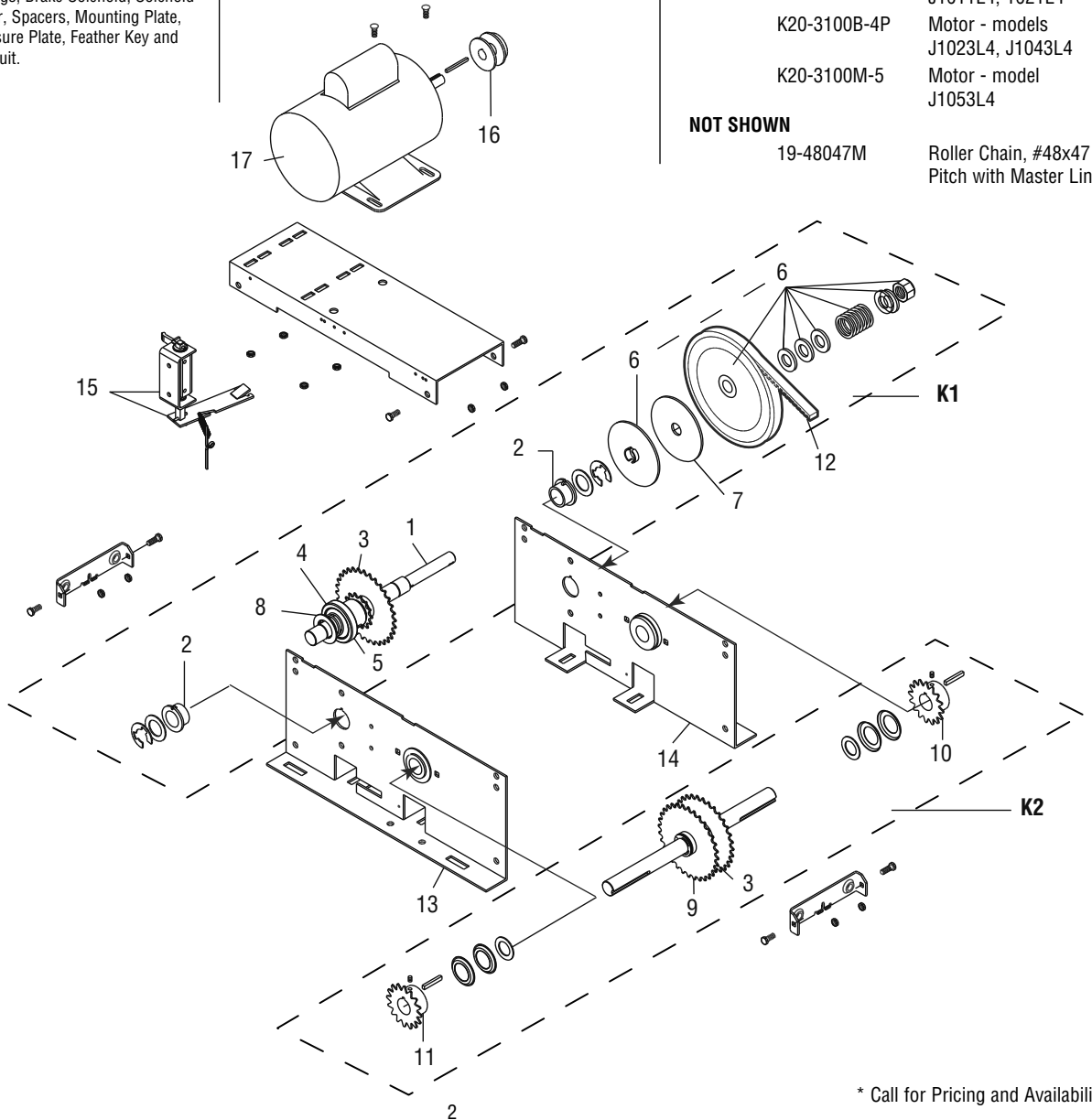
## Individual Parts

ITEM	PART#	DESCRIPTION
1		Clutch Shaft - J (Available only in complete Clutch Shaft Kit)
2	12-19504	Keyed Flange Bearing 1"
3	15-30822	Dual Sprocket 32/14*
4	15-19484	Splined Core Sprocket
5	18-30957	Compression Spring
6	K75-19985	Pulley Assembly
7	39-10167	Clutch Pad
8	80-19846	Splined Hub, J Disconnect
9	15-19478	Sprocket Assembly
10	15-48B18LGE	Sprocket 48B18x1"
11	15-50B12LGH	Sprocket 50B12x1"
12	16-5L304	Cogged Belt 30.4"
13	K75-19978-L	Frame Kit (LH)
14	K75-19978-R	Frame Kit (RH)
15	K75-19977	J Arm Kit
16	17-6014	Motor Pulley

ITEM	PART#	DESCRIPTION
17		
1/3HP	K20-1033B-2LP	Motor - models J3311L4, J3321L4
	K20-3033B-4P	Motor - models J3323L4, J3343L4
	K20-3033M-5	Motor - model J3353L4
1/2HP	K20-1050B-2LP	Motor - models J5011L4, J5021L4
	K20-3050B-4P	Motor - models J5023L4, J5043L4
	K20-3050M-5	Motor - model J5053L4
3/4HP	K20-1075B-2P	Motor - models J7511L4, J7521L4
	K20-3075B-4P	Motor - models J7523L4, J7543L4
	K20-3075M-5	Motor - model J7553L4
1HP	K20-1100B-2LP	Motor - models J1011L4, 1021L4
	K20-3100B-4P	Motor - models J1023L4, J1043L4
	K20-3100M-5	Motor - model J1053L4

### NOT SHOWN

19-48047M	Roller Chain, #48x47 Pitch with Master Link
-----------	---



\* Call for Pricing and Availability

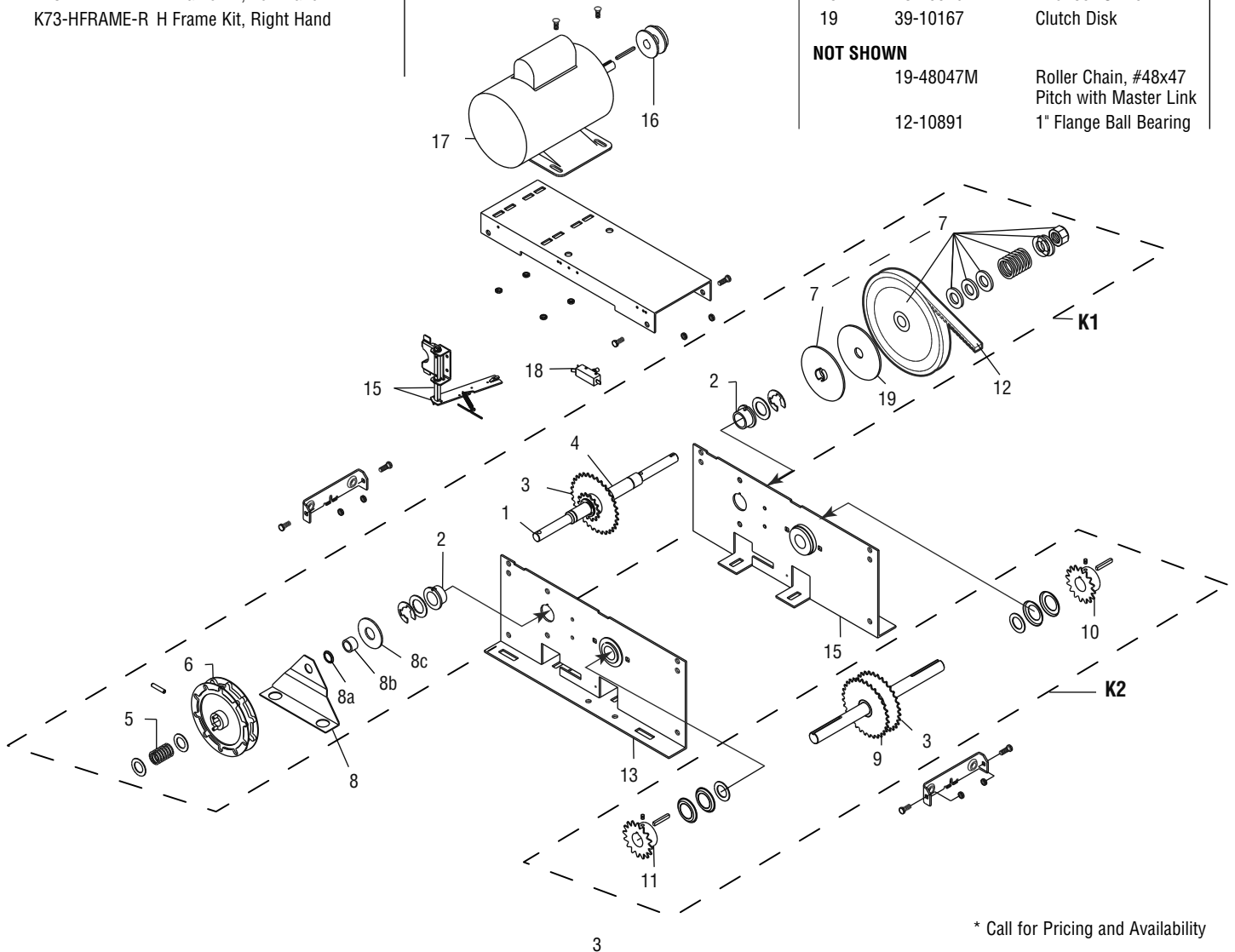
# Model H

## Service Kits

ITEM	PART#	DESCRIPTION
K1	K72-19979	Clutch Shaft Kit <b>Complete with:</b> Clutch Shaft, Keyed Flange Bearing, Dual Sprocket 32/14, 14 Tooth Sprocket, E-Ring, Compression Spring, Chain Wheel Assembly, Pulley Assembly, Chain Guide Assembly, Shim Washer, Washer, Thrust Washer and Roll Pins.
K2	K72-19974	Output Shaft Kit <b>Complete with:</b> Output Shaft, Sprocket Assembly, Dual Sprocket 32/14, Sprocket 48B18x1", Sprocket 50B12x1", Ring, Washer, Key, Set Screw, Roll Pin and Thin Walled Receivers.
<b>NOT SHOWN</b>		
71-B120H		Brake Kit, 115 Volt Models
71-B208H		Brake Kit, 208 Volt Models
71-B240H		Brake Kit, 230-460 Volt Models
71-B575H		Brake Kit, 575 Volt Models <b>Complete with:</b> Brake Hub Kit, Brake Release Lever, Brake Disk, Spring Cup, Studs, Compression Springs, Brake Solenoid, Solenoid Cover, Spacers, Mounting Plate, Pressure Plate, Feather Key and Conduit.
K73-HFRAME-L		H Frame Kit, Left Hand
K73-HFRAME-R		H Frame Kit, Right Hand

## Individual Parts

ITEM	PART#	DESCRIPTION	ITEM	PART#	DESCRIPTION
1	11-19471	Clutch Shaft - H	17		
2	12-19504	Keyed Flange Bearing 1"	1/3HP	K20-1033B-2LP	Motor - models H3311L4, H3321L4
3	15-30822	Dual Sprocket 32/14*		K20-3033B-4P	Motor - models H3323L4, H3343L4
4	15-19481	Sprocket, 14 Tooth		K20-3033M-5	Motor - model H3353L4
5	18-11379	Compression Spring	1/2HP	K20-1050B-2LP	Motor - models H5011L4, H5021L4
6	75-10884	Chain Wheel Assembly		K20-3050B-4P	Motor - models H5023L4, H5043L4
7	K75-19985	Pulley Assembly		K20-3050M-5	Motor - model H5053L4
8	10-10882	Chain Guide	3/4HP	K20-1075B-2P	Motor - models H7511L4, H7521L4
8a	12-10883	Nyliner Bearing		K20-3075B-4P	Motor - models H7523L4, H7543L4
8b	12-10882	Bushing .753 I.D. x 5/8"		K20-3075M-5	Motor - model H7553L4
8c	80-10883	Washer Spacer	1HP	K20-1100B-2LP	Motor - models H1011L4, H1021L4
9	15-19478	Sprocket Assembly		K20-3100B-4P	Motor - models H1023L4, H1043L4
10	15-48B18LGE	Sprocket 48B18x1"		K20-3100M-5	Motor - model H1053L4
11	15-50B12LGH	Sprocket 50B12x1"	18	23-10916	Interlock Switch
12	16-5L304	Cogged Belt 30.4"	19	39-10167	Clutch Disk
13	K75-19978-L	Frame Kit (LH)	<b>NOT SHOWN</b>		
14	K75-19978-R	Frame Kit (RH)		19-48047M	Roller Chain, #48x47 Pitch with Master Link
15	K75-19981	Arm Kit - H		12-10891	1" Flange Ball Bearing
16	17-6014	Motor Pulley			



\* Call for Pricing and Availability

# Model HJ

## Service Kits

ITEM	PART#	DESCRIPTION
K1	K72-19982	Clutch Shaft Kit <b>Complete with:</b> Clutch Shaft, Keyed Flange Bearing, Dual Sprocket 32/14, Splined Core Sprocket, E-Ring, Compression Spring, Pulley Assembly, Thick Washer, Thrust Bearing, Retaining Ring, Splined Hub, Washer and Roll Pin.
K2	K72-19974	Output Shaft Kit <b>Complete with:</b> Output Shaft, Sprocket Assembly, Dual Sprocket 32/14, Sprocket 48B18x1", Sprocket 50B12x1", E-Ring, Washer, Key, Set Screw 5/16"-18, Roll Pin and Thin Walled Receiver.

### NOT SHOWN

71-B120H	Brake Kit, 115 Volt Models
71-B208H	Brake Kit, 208 Volt Models
71-B240H	Brake Kit, 230-460 Volt Models
71-B575H	Brake Kit, 575 Volt Models
<b>Complete with:</b> Brake Hub Kit, Brake Release Lever, Brake Disk, Spring Cup, Studs, Compression Springs, Brake Solenoid, Solenoid Cover, Spacers, Mounting Plate, Pressure Plate, Feather Key and Conduit.	
K73-HJFRAME-L	HJ Frame Kit, Left Hand
K73-HJFRAME-R	HJ Frame Kit, Right Hand

## Individual Parts

ITEM	PART#	DESCRIPTION
1	11-19473	Clutch Shaft - HJ
2	12-19504	Keyed Flange Bearing 1"
3	15-30822	Dual Sprocket 32/14*
4	15-19484	Splined Core Sprocket
5	18-11379	Compression Spring
6	18-30957	Compression Spring
7	75-10884	Chain Wheel Assembly
8	K75-19985	Pulley Assembly
9	39-10167	Clutch Pad
10	10-10882	Chain Guide
10A	12-10883	Nyliner Bearing
10B	12-10882	Bushing .753 I.D. x 5/8"
10C	80-10883	Washer Spacer
11	80-19846	Splined Hub
12	15-19478	Sprocket Assembly
13	15-48B18LGE	Sprocket 48B18x1"
14	15-50B12LGH	Sprocket 50B12x1"
15	16-5L304	Cogged Belt 30.4"
16	K75-19978-L	Frame Kit (LH)
17	K75-19978-R	Frame Kit (RH)
18	K75-19977	Arm Kit - Right
19	K75-19981	Arm Kit - Left
20	17-6014	Motor Pulley

ITEM	PART#	DESCRIPTION
21		
1/3HP	K20-1033B-2LP	Motor - models HJ3311L4, HJ3321L4
	K20-3033B-4P	Motor - models HJ3323L4, HJ3343L4
	K20-3033M-5	Motor - model HJ3353L4
1/2HP	K20-1050B-2LP	Motor - models HJ5011L4, HJ5021L4
	K20-3050B-4P	Motor - models HJ5023L4, HJ5043L4
	K20-3050M-5	Motor - model HJ5053L4
3/4HP	K20-1075B-2P	Motor - models HJ7511L4, HJ7521L4
	K20-3075B-4P	Motor - models HJ7523L4, HJ7543L4
	K20-3075M-5	Motor - model HJ7553L4
1HP	K20-1100B-2LP	Motor - models HJ1011L4, HJ1021L4
	K20-3100B-4P	Motor - models HJ1023L4, HJ1043L4
	K20-3100M-5	Motor - model HJ1053L4
22	23-10916	Interlock Switch
<b>NOT SHOWN</b>		
	19-48047M	Roller Chain, #48x47 Pitch with Master Link

