



# Gear Drawbar Operator

## Heavy Industrial-Duty Door Operator

CHAMBERLAIN IS AN ISO9001:2008 REGISTERED COMPANY



I.C./F.C.C. Certified

Customer \_\_\_\_\_

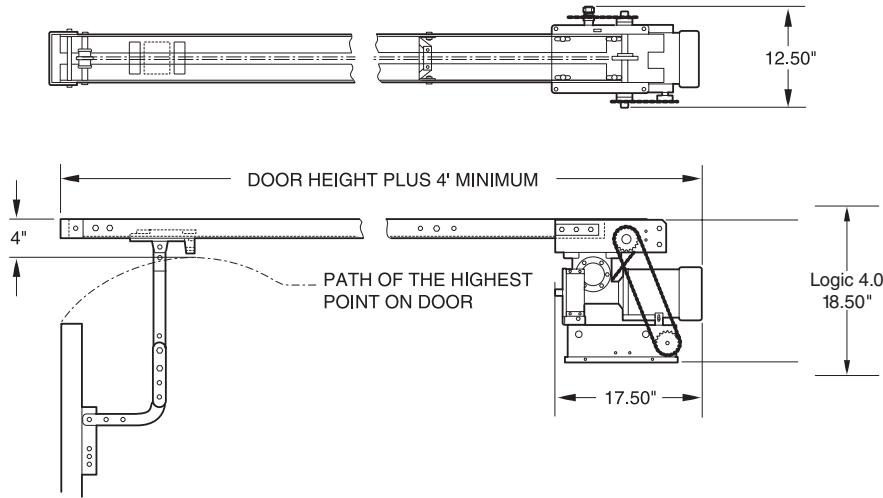
Project \_\_\_\_\_

Architect/Engineer \_\_\_\_\_

Contractor \_\_\_\_\_

Drawing Number \_\_\_\_\_ Date \_\_\_\_\_ Sheet \_\_\_\_\_ of \_\_\_\_\_

### SHOP DRAWING



### Specifications for Ordering

1) Supply \_\_\_\_\_ ( ) LiftMaster Operator(s) Model \_\_\_\_\_  
 \_\_\_\_\_ HP, \_\_\_\_\_ Volts, \_\_\_\_\_ Phase, \_\_\_\_\_ Hertz \_\_\_\_\_

2) For \_\_\_\_\_ wide x \_\_\_\_\_ high door(s) with \_\_\_\_\_

3) Supply \_\_\_\_\_ ( ) OPEN/CLOSE/STOP control station(s) in NEMA \_\_\_\_\_ enclosure per operator

4) Supply auxiliary and optional equipment as specified below (one per operator unless otherwise noted)

Additional Info

### Notes:

- 1) Refer to Model GT product data sheet for general information
- 2) Refer to drawing \_\_\_\_\_ for wiring diagram

Manufactured by:  
 The Chamberlain Group, Inc.  
 845 Larch Avenue • Elmhurst, Illinois 60126  
**For More Information:**  
 call (800) 323-2276  
 visit [www.liftmaster.com](http://www.liftmaster.com) or  
<http://specs.liftmaster.com/architectscorner>

HORSE POWER	MOTOR AMPERAGE RATING				
	VOLTAGE - PHASE - 60Hz				
	115-1Ø	230-1Ø	230-3Ø	460-3Ø	575-3Ø
1/2	11.2	5.6	3.1	1.4	1.2
3/4	11.2	5.6	3.1	1.4	1.2
1	13.6	6.8	4.0	1.8	1.4
1-1/2	17.5	8.7	6.6	5.0	2.4

# LiftMaster®

Commercial Door Operators